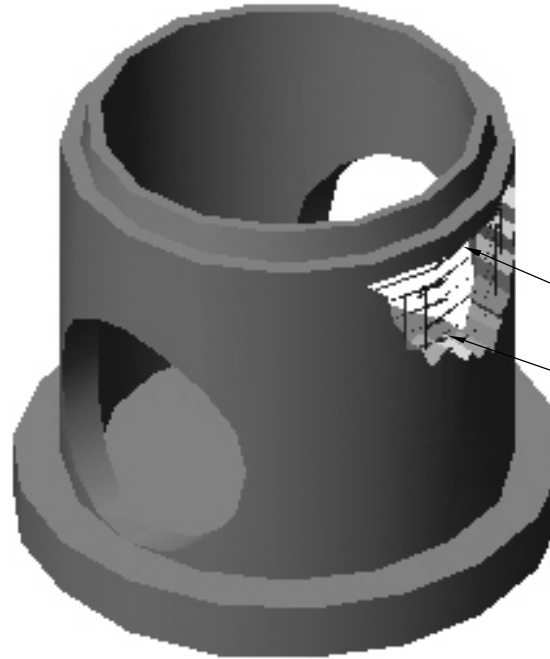
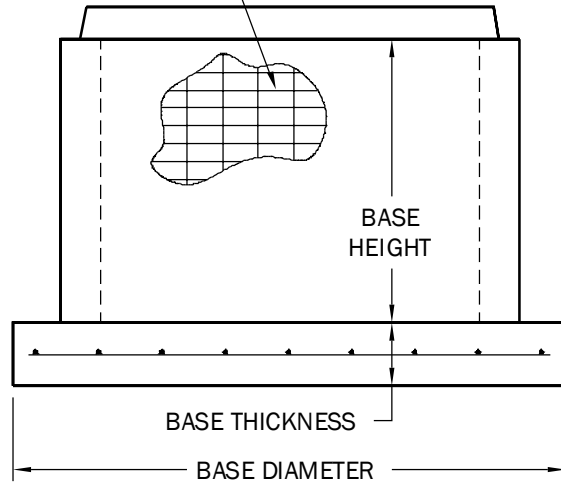


MONOLITHIC BASE

SINGLE CAGE OF
WWM 3 X 6 W3/W2
(.195/.159)



| I.D. | BASE DIAMETER | BASE HEIGHT | BASE THICKNESS |
|------|---------------|-------------|----------------|
| 48" | 70" | 48" MAX. | 8", 10" OR 12" |
| 60" | 84" | 48" MAX. | 8", 10" OR 12" |
| 72" | 98" | 58" MAX. | 8", 10" OR 12" |
| 96" | N/A | N/A | N/A |

** SEE NOTES

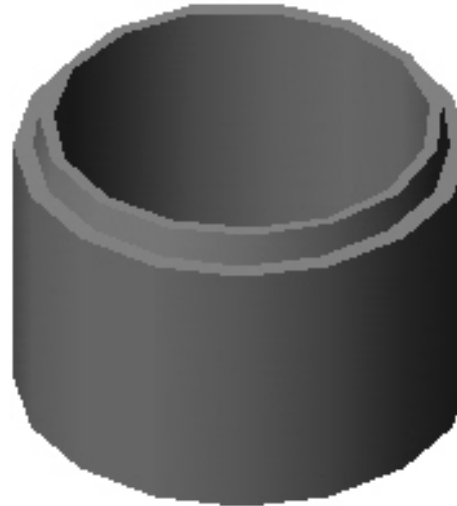
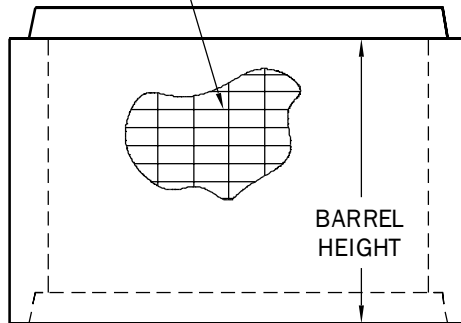
*#3 REBAR AT 18" ON
CENTER HORIZONTALLY
ON 72" AND 96" I.D. BARRELS

6" OVERLAP ON MESH WITH
TWO TIES EVERY TWO LINES

MONOLITHIC POUR:
BASE & BARREL ARE ONE UNIT

BARREL

SINGLE CAGE OF
WWM 3 X 6 W3/W2
(.195/.159)



| I.D. | STANDARD HEIGHT | WALL THICKNESS |
|------|--|----------------|
| 48" | 1'-0", 1'-6", 2'-0" 2'-6", 3'-0", 4'-0" | 5" |
| 60" | 2'-0", 3'-0", 4'-0" | 6" |
| 72" | 2'-0", 3'-0", 4'-0" | 7" |
| 96" | 2'-0", 3'-0", 4'-0" | 9" |

** SEE NOTES

** NOTES:

1. SPECIAL HEIGHTS UPON REQUEST.
2. FLAT BOTTOM & FLAT TOPS ALSO AVAILABLE.
3. MANUFACTURED IN CONFORMANCE WITH ASTM C-478
4. DOUBLE MATT REBAR AVAILABLE IF REQUIRED FOR BASE.
5. CONCRETE: 4000 PSI @ 28 DAYS; REBAR: ASTM 615 GRADE 60
6. SECTIONS HAVE #3 REBAR EVERY 18" ON CENTER HORIZONTALLY.

WESTERN
PRECAST CONCRETE INC.
QUALITY PRODUCTS AND SERVICE SINCE 1946

MONOLITHIC BASE & BARREL

9101 Roseway

(915) 859-9362