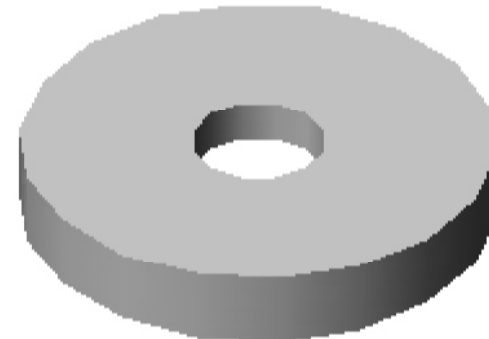
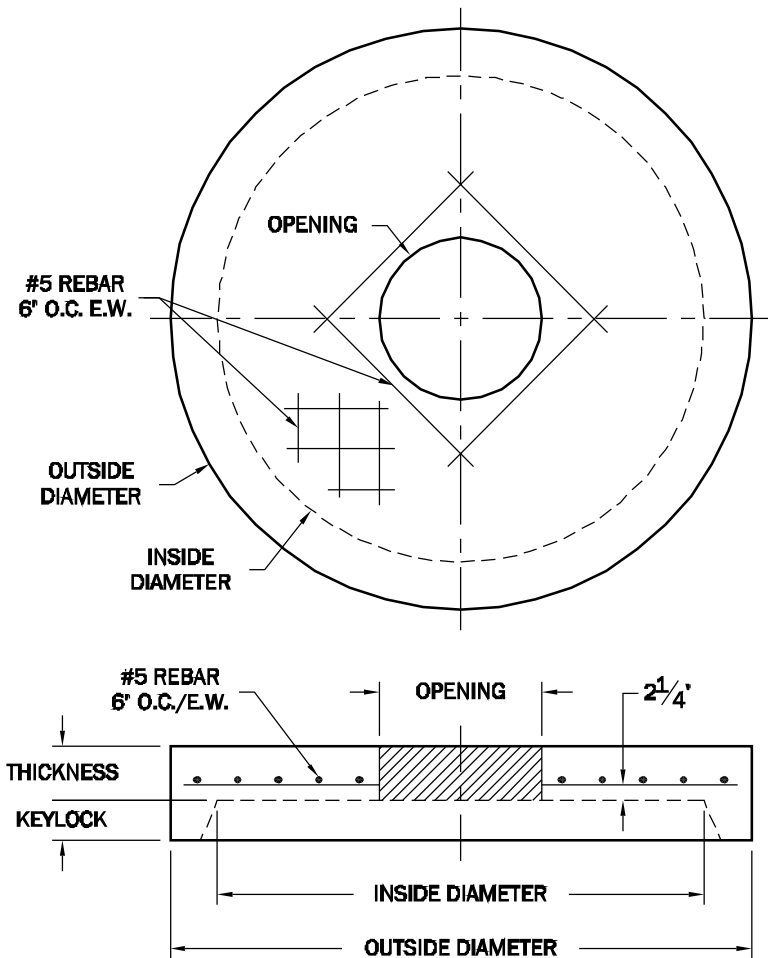
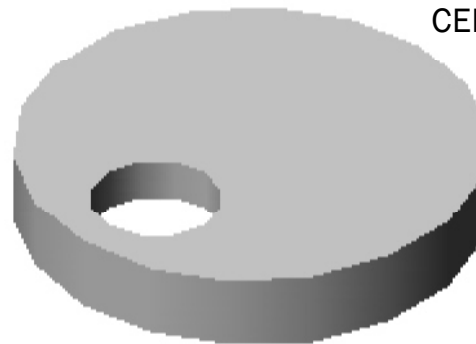


FLAT TOP LID



CENTERED OPENING



OFFSET OPENING

- * PRODUCED WITHOUT KEYLOCK UPON REQUEST.
- * OPENING CAN BE CENTERED OR OFFSET.
- * RING & COVER CAN BE CASTED INTO LID IF REQUIRED

NOTES:

1. MEETS ASTM-478-93 SPECIFICATIONS.
2. CONCRETE DESIGN SHALL HAVE A MINIMUM 4,000 PSI @ 28 DAYS.
3. H-20 TRAFFIC LOADING

OUTSIDE DIAMETER	58"	72"	86"	114"
INSIDE DIAMETER	48"	60"	72"	96"
KEYLOCK	4"	6"	6"	7 1/2"
THICKNESS	8", 10" OR 12"			
OPENING	24" OR 30"			

WESTERN
PRECAST CONCRETE INC.
 QUALITY PRODUCTS AND SERVICE SINCE 1946

FLAT TOP LID	
9101 Roseway	(915) 859-9362